

**REQUEST FOR PROPOSALS
EXHAUST SYSTEM
West Valley High School**

Throughout this document, the word “District” refers to Anderson Union High School District.

SUBJECT

Request for Proposals (RFP) for the installation of an exhaust system in the 700 building at West Valley High School.

PURPOSE

Proposals that meet the necessary requirements as outlined in the document are being sought by the District for the purpose of securing the most cost effective method of installation of an exhaust system in the 700 building at West Valley High School.

BACKGROUND

The District owns several properties in the Anderson and Cottonwood communities with a variety of structures on these properties. In an effort to provide a safe and clean learning environment for students, the District must continually repair or replace maintenance issues such as roofing, plumbing, lighting, etc. As a necessity of current school financing, the District is seeking the most cost-efficient quality resolution to installation of an exhaust system as exhibited in this RFP.

SCOPE OF WORK

The RFP is for the project as referenced in the attached document. Enlarged copies of the attached document are available at the Anderson Union High School District Office.

SCHEDULE OF EVENTS

Release of RFP to vendors	November 16, 2016
Site visit	November 28, 2016 at 10:00am West Valley High School Building 700 3805 Happy Valley Road, Cottonwood, CA
Deadline for submission of proposals	December 9, 2016 at 3:30pm AUHSD District Office 1469 Ferry Street, Anderson, CA
Opening of Proposals	December 13, 2016 at 10:00am AUHSD District Office 1469 Ferry Street, Anderson, CA

Award of bid

Upon determination of best proposal

INQUIRIES

All inquiries should be directed to: Tim Azevedo at tazevedo@auhsd.net or (530) 378-0568.

DISTRICT RESPONSIBILITIES

1. The District will provide vehicle and material delivery access to the work site.
2. The District will provide a reasonably secure area around the work zone to avoid accidental injury to any District employees and students.
3. The District will provide a District employed maintenance person as a resource for information or accessibility to the facility.

VENDOR RESPONSIBILITIES

1. The vendor must meet or exceed all minimum qualification requirements as listed in "SCOPE OF WORK" above.
2. The vendor must provide verification of proper California license to perform this job.
3. The vendor must provide Department of Industrial Relations (DIR) number.
4. The vendor must provide proof of appropriate liability and workers compensation insurance.
5. The vendor must provide three references.

PROPOSAL

Two copies of the proposal and any other required documents must be submitted in a sealed envelope, with the wording "WVHS Building 700 Exhaust System" on the outside of the envelope:

Tim Azevedo
WVHS Building 700 Roof Project
1469 Ferry Street
Anderson, CA 96007

Do not fax proposals. Proposals will be received by the District at the address shown above until 3:30pm on December 9, 2016. Proposals may be hand delivered. If mailed, the proposal must be received at the address above by 3:30pm on December 9, 2016.

BASIS OF AWARD

The proposals will be opened on December 13, 2016 at 10:00am at the AUHSD District Office, 1469 Ferry Street, Anderson, California. The evaluation process will not be complete until the District has determined the best proposal based on all factors:

1. Meeting all requirements listed in specification.
2. Must have three references.
3. Length of time bidder has been a licensed contractor.
4. Prior business experience with the district will be considered.
5. Lowest and best bid with price being a primary factor.
6. Longest labor and material warranty.

The bidders will be notified accordingly.

THE DISTRICT RESERVES THE RIGHT TO:

1. Consider all factors provided herein to determine the solution which is in the best interest of the District.
2. Give full and proper consideration to the service, reputation, product knowledge, and experience of all companies presenting proposals, and to disqualify any such provider it deems unqualified to provide the services requested.
3. Reject any and all proposals if deemed necessary.
4. Accept any alternative proposal believed to be in the best interest of the District.
5. Waive any formality in the quote submission.
6. Cancel any awarded bid if the service proves unsatisfactory.

TERMS OF PAYMENT

The job is to begin at the first mutually agreeable date after the awarding of the bid. Payment to the vendor will be within 30 days after the completion of work as inspected by a District representative and the submission of an invoice.

AG SHOP WELDING EXHAUST SYSTEM

WEST VALLEY HIGH SCHOOL

COTTONWOOD, CALIFORNIA

CONSTRUCTION DOCUMENTS

OCTOBER 14, 2016



ALL IDEAS, DESIGNS, AND PLANS REPRESENTED BY THIS DRAWING ARE THE EXCLUSIVE PROPERTY OF FRONTIER CONSULTING ENGINEERING AND SHALL NOT BE REPRODUCED WITHOUT PRIOR WRITTEN PERMISSION. ANY UNAUTHORIZED REUSE OF THIS DRAWING SHEET OTHER THAN FOR THE PROJECT AND LOCATION SHOWN IS PROHIBITED.

LICENSE STAMP



CONSULTANTS

PROJECT NAME

AG SHOP VENTILATION UPGRADES

FOR

WEST VALLEY HIGH SCHOOL

3805 HAPPY VALLEY ROAD
COTTONWOOD, CA 96002

NO. REVISIONS DATE

SHEET TITLE

TITLE SHEET

ISSUED FOR:
CONSTRUCTION DOCUMENTS

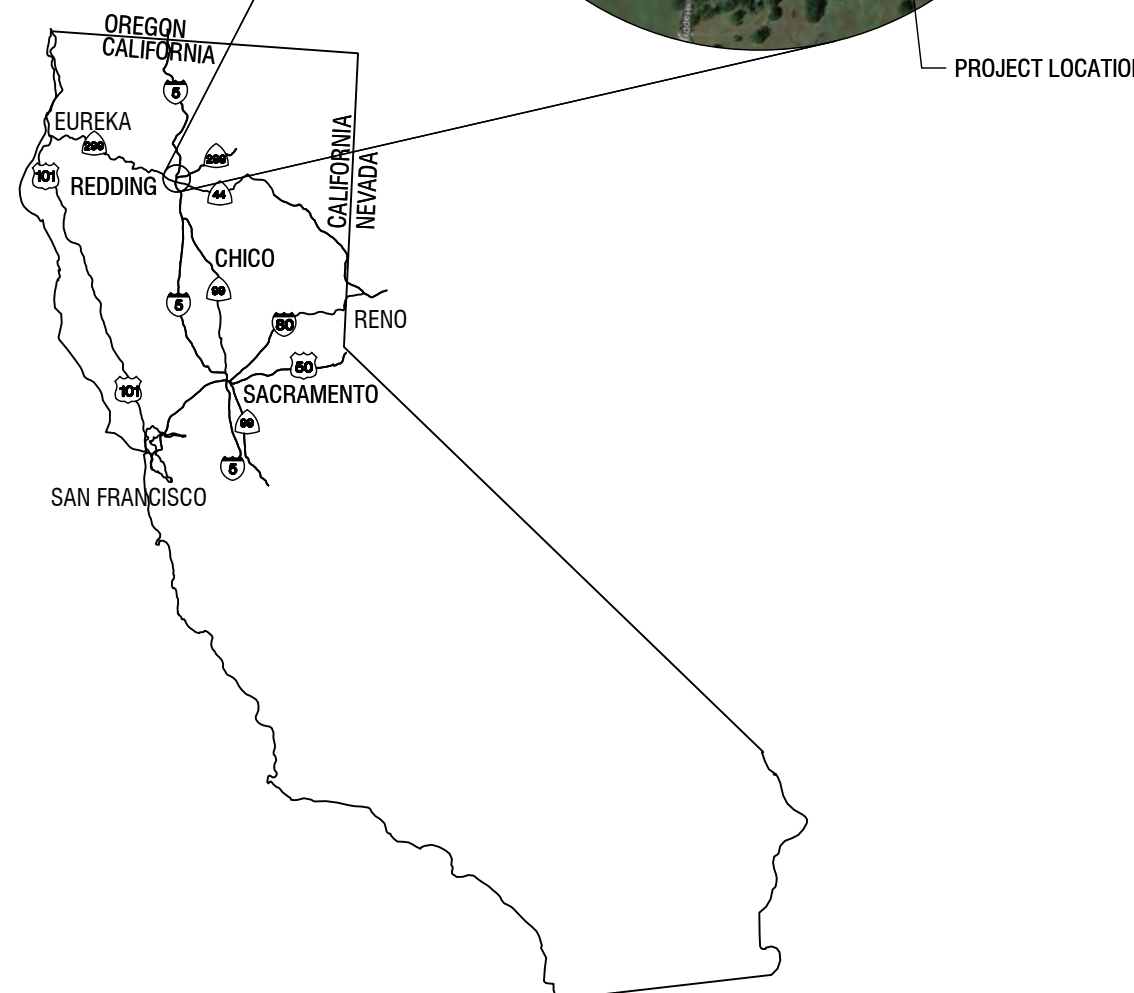
DATE: 10/14/2016
DRAWN BY: RB
REVIEWED BY: BA
SCALE: AS NOTED
PROJECT NO: 21649

G1.0

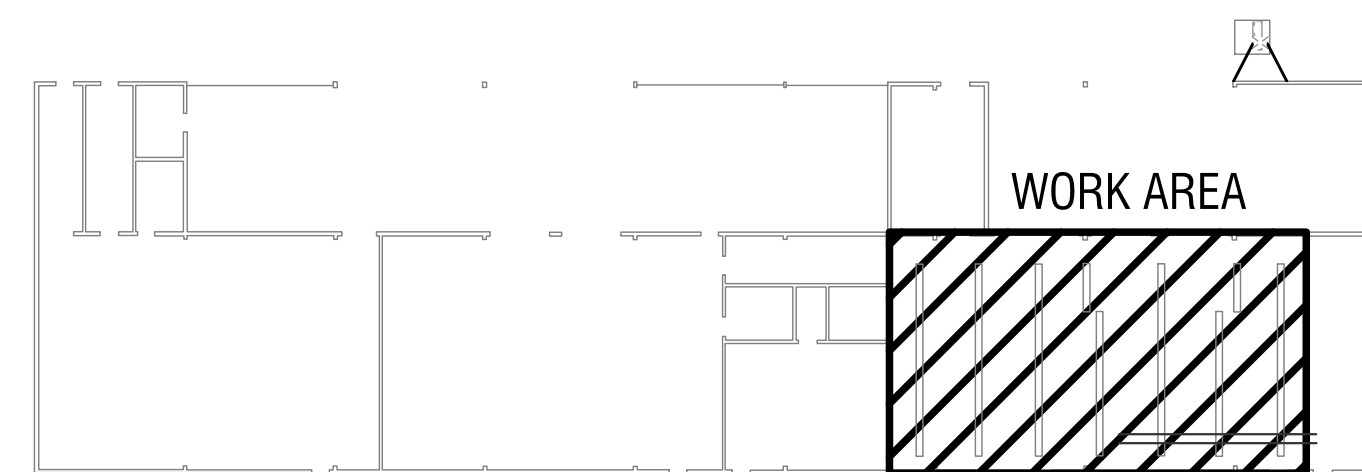
APPLICABLE CODES & STANDARDS

ALL WORK PERFORMED AND MATERIALS FURNISHED SHALL COMPLY WITH THE FOLLOWING CODES.

- APPLICABLE CODES, REGULATIONS:**
 2013 CALIFORNIA ADMINISTRATIVE CODE (CAC)
 PART 1, TITLE 24, CALIFORNIA CODE OF REGULATIONS (CCR)
 2013 CALIFORNIA BUILDING CODE (CBC)
 PART 2, TITLE 24, CCR, BASED ON THE 2012 INTERNATIONAL BUILDING CODE (IBC)
 2013 CALIFORNIA ELECTRICAL CODE (CEC)
 PART 3, TITLE 24, CCR, BASED ON THE 2011 NATIONAL ELECTRIC CODE (NEC)
 2013 CALIFORNIA MECHANICAL CODE (CMC)
 PART 4, TITLE 24, CCR, BASED ON THE 2012 UNIFORM MECHANICAL CODE (UMC)
 2013 CALIFORNIA PLUMBING CODE (CPC)
 PART 5, TITLE 24, CCR, BASED ON THE 2012 UNIFORM PLUMBING CODE (UPC)
 2013 CALIFORNIA FIRE CODE (CFC)
 PART 9 TITLE 24, CCR, BASED ON THE 2012 INTERNATIONAL FIRE CODE (IFC)
- OTHER APPLICABLE CODES AND REGULATIONS**
 TITLE 8 - ELEVATOR SAFETY ORDERS FOR ELEVATOR SAFETY STANDARDS
 TITLE 19 - PUBLIC SAFETY, STATE FIRE MARSHAL, CALIFORNIA CODE OF REGULATIONS (CCR)
 TITLE 22 - SOCIAL SECURITY, DIVISION 5: LICENSING AND CERTIFICATION OF HEALTH FACILITIES, HOME HEALTH AGENCIES, CLINICS AND REFERRAL AGENCIES; DIVISION 7: HEALTH PLANNING AND FACILITY CONSTRUCTION.
 ADA REGULATION FOR TITLE III - 2010 - STANDARDS FOR PUBLIC ACCOMMODATIONS AND COMMERCIAL FACILITIES, U.S. DEPT. OF JUSTICE.
 ACCREDITATION MANUAL FOR HOSPITALS - JOINT COMMISSION ON ACCREDITATION OF HEALTH CARE ORGANIZATIONS (JCAHO)
- APPLICABLE NFPA STANDARDS ADOPTED BY 2013 CBC:**
 NFPA NO. 10 - 2010 PORTABLE FIRE EXTINGUISHERS
 NFPA NO. 13 - 2013 INSTALLATION OF SPRINKLER SYSTEMS
 NFPA NO. 14 - 2013 INSTALLATION OF STANDPIPE AND HOSE SYSTEM
 NFPA NO. 20 - 2013 INSTALLATION OF STATIONARY PUMPS FOR FIRE PROTECTION
 NFPA NO. 22 - 2013 WATER TANKS FOR PRIVATE FIRE PROTECTION
 NFPA NO. 24 - 2013 PRIVATE FIRE SERVICE MAINS AND THEIR APPURTENANCES
 NFPA NO. 45 - 2011 FIRE PROTECTION FOR LABORATORIES USING CHEMICALS
 NFPA NO. 55 - 2013 COMPRESSED GASES AND CRYOGENIC FLUIDS
 NFPA NO. 70 - 2011 NATIONAL ELECTRICAL CODE
 NFPA NO. 72 - 2013 NATIONAL FIRE ALARM & SIGNALING CODE
 NFPA NO. 80 - 2013 FIRE DOORS AND OTHER OPENING PROTECTIVES
 NFPA NO. 90A - 2009 INSTALLATION OF AIR-CONDITIONING VENTILATING SYSTEMS
 NFPA NO. 99 - 2012 HEALTH CARE FACILITIES
 NFPA NO. 101 - 2012 LIFE SAFETY CODE
 NFPA NO. 110 - 2013 EMERGENCY AND STANDBY POWER SYSTEMS
 NFPA NO. 220 - 2009 TYPES OF BUILDING CONSTRUCTION
- APPLICABLE STANDARDS FOR FIRE RATED SYSTEMS:**
 UL - UNDERWRITER'S LABORATORIES, FIRE RESISTIVE DIRECTORY
 UL - UNDERWRITER'S LABORATORIES, BUILDING MATERIALS DIRECTORY
 SMACNA - FIRE, SMOKE AND RADIATION DAMPER INSTALLATION GUIDE FOR HVAC SYSTEMS, 5TH EDITION
- WHERE THERE IS A CONFLICT BETWEEN CALIFORNIA (ADAAG) AND FEDERAL (ADA) DISABLED ACCESS REQUIREMENTS, GENERALLY THE MOST STRINGENT WILL APPLY.
1. UNIFORM FEDERAL ACCESSIBILITY STANDARD (UFAS)
 2. CALIFORNIA OCCUPATIONAL SAFETY AND HEALTH ADMINISTRATION (CAL OSHA)
 3. OCCUPATIONAL SAFETY AND HEALTH ADMINISTRATION (OSHA); HAZARD COMMUNICATIONS STANDARD



2 PROJECT LOCATION
G1.0 NO SCALE



1 FACILITY REFERENCE PLAN
G1.0 1/32" = 1'-0" z

PROJECT DESCRIPTION

THIS PROJECT CONSISTS OF THE INSTALLATION OF A NEW EXHAUST SYSTEM. THE EXISTING EXHAUST SYSTEM DOES NOT ADEQUATELY EXHAUST THE SPACE. THIS PROJECT WILL REQUIRE THE REMOVAL OF THE ONE EXISTING DUST COLLECTOR AND ASSOCIATED DUCTING AND REPLACING THE SYSTEM WITH A NEW EXHAUST FAN AND DUCTING.

A NEW EXHAUST FAN, ALONG WITH ASSOCIATED DUCTING AND ELECTRICAL CONTROLS, WILL BE INSTALLED IN THIS PROJECT.

PROJECT PHASING

THE WORK DESCRIBED IN THESE DOCUMENTS SHALL BE COMPLETED WITHOUT DISRUPTING NORMAL OPERATIONS OF THE FACILITY. ALL WORK MUST BE COORDINATED WITH THE FACILITY MANAGER PRIOR TO COMMENCING WORK.

PROJECT NOTICE

THE FINAL DESIGN DOCUMENTS ARE INTENDED TO BE USED AS A COMPLETE PACKAGE. IT IS THE RESPONSIBILITY OF THE GENERAL CONTRACTOR TO FURNISH ANY SUBCONTRACTORS, MATERIAL OR EQUIPMENT SUPPLIERS ACCESS TO THE TOTAL BID PACKAGE OF FINAL DESIGN DOCUMENTS. ALL OF THE DOCUMENTS APPLY TO ALL MEMBERS OF THE GENERAL CONTRACTOR CONSTRUCTION TEAM.

THE ENGINEERS HAVE SHOWN VARIOUS PORTIONS OF THE WORK ON SEPARATE SHEETS OF DRAWINGS OR IN SEPARATE PROJECT SPECIFICATION SECTIONS FOR CLARITY. SUCH SEPARATION SHALL NOT BE CONSIDERED AS THE LIMITS OF THE WORK REQUIRED OF ANY SEPARATE TRADE. THE TERMS AND CONDITIONS OF SUCH LIMITATIONS ARE WHOLLY BETWEEN THE CONTRACTOR AND HIS SUB-CONTRACTORS.

THE FINAL PROJECT SHALL REFLECT ALL THE WORK SHOWN ON ALL DOCUMENTS WITHOUT REGARD TO WHO SHALL PROVIDE THE WORK. FOR PURPOSES OF THIS PROJECT THE ARCHITECT / ENGINEER / OWNER SHALL CONSIDER THE GENERAL CONTRACTOR AS THE SOLE PROVIDER OF ALL ITEMS NECESSARY TO COMPLETE THE PROJECT.

ITEMS SHOWN ON ONE DRAWING OR SPECIFICATION SECTION BUT NOT OTHERS SHALL BE FURNISHED IN THEIR ENTIRETY AS IF SHOWN ON ALL DOCUMENTS. - THE USE OF THESE DOCUMENTS WITHOUT THE BENEFIT OF REVIEWING THE ENTIRE PACKAGE WILL BE AT THE RISK OF THE USER.

SHEET INDEX

SHEET	DESCRIPTION
G1.0	TITLE SHEET
M0.1	MECHANICAL AND ELECTRICAL SPECIFICATIONS
M1.0	MECHANICAL LEGENDS, SCHEDULES AND DETAILS
M1.1	MECHANICAL DEMOLITION PLAN
M2.0	MECHANICAL FLOOR PLAN

PROJECT TEAM

OWNER:

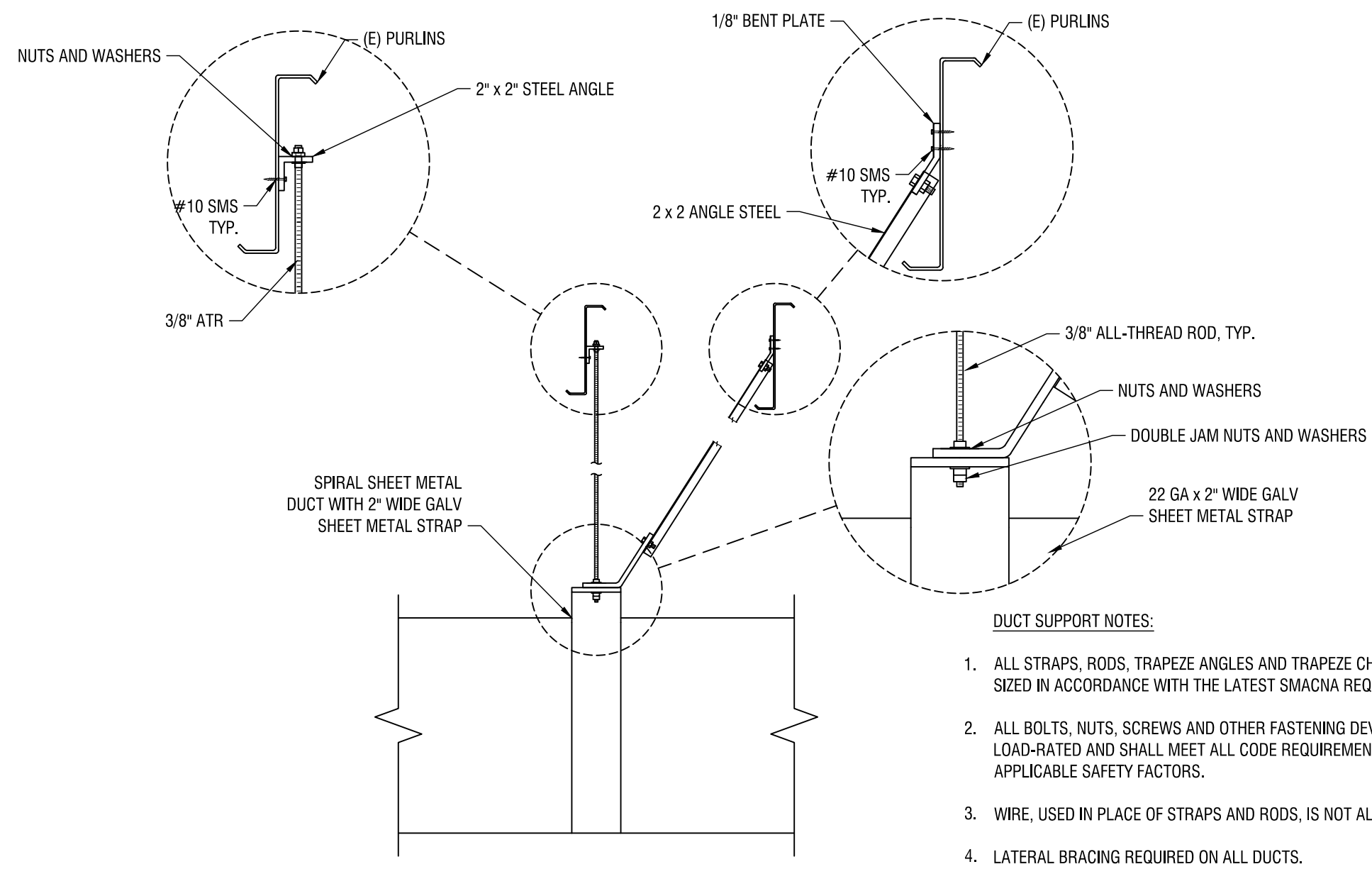
WEST VALLEY HIGH SCHOOL
3805 HAPPY VALLEY ROAD
COTTONWOOD, CA 96022
PHONE: (530) 347-7171

MECHANICAL ENGINEER

BEN ABRAHAMSEN, PE, M35923
FRONTIER CONSULTING ENGINEERS, INC
PO BOX 492174
REDDING, CA 96049
PHONE: (530) 232-6160
FAX: (530) 232-2770

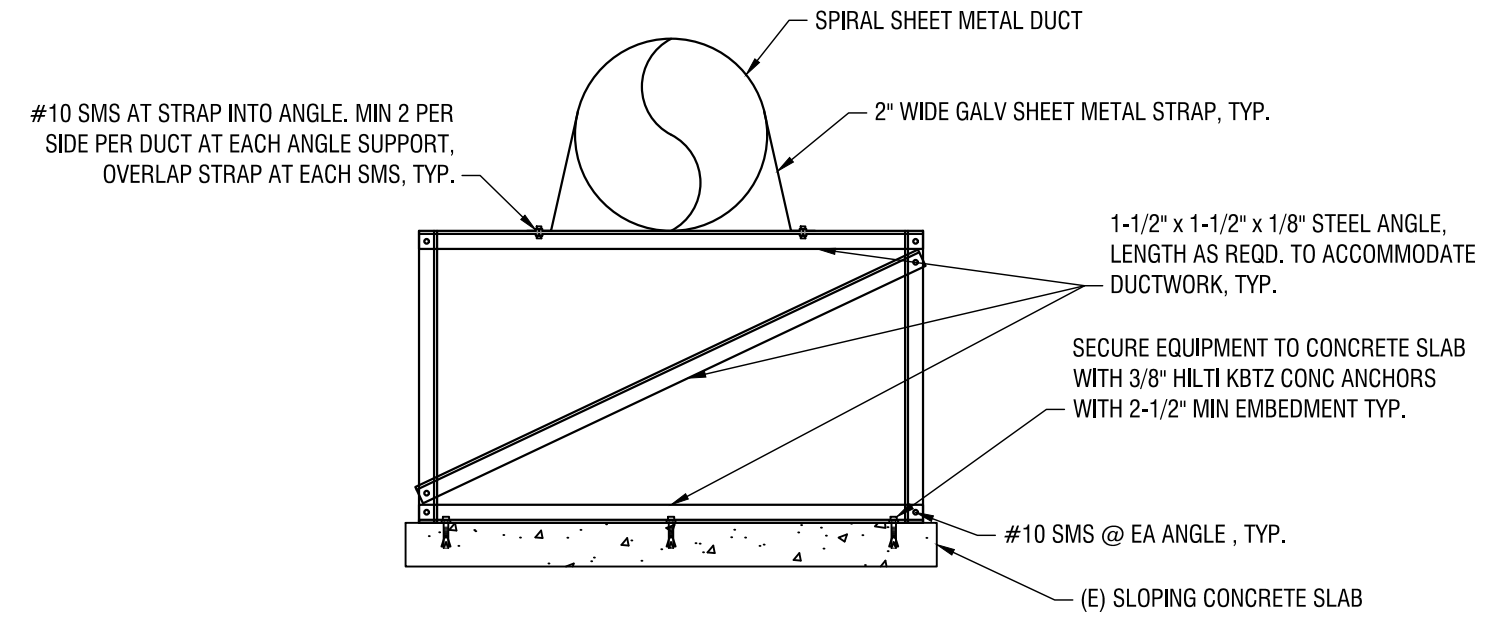
ELECTRICAL ENGINEER

CHRIS ABRAHAMSEN, PE
PACE ENGINEERING
1730 SOUTH ST
REDDING, CA 96001
PHONE: (530) 244-0202



PERPENDICULAR TO PURLINS

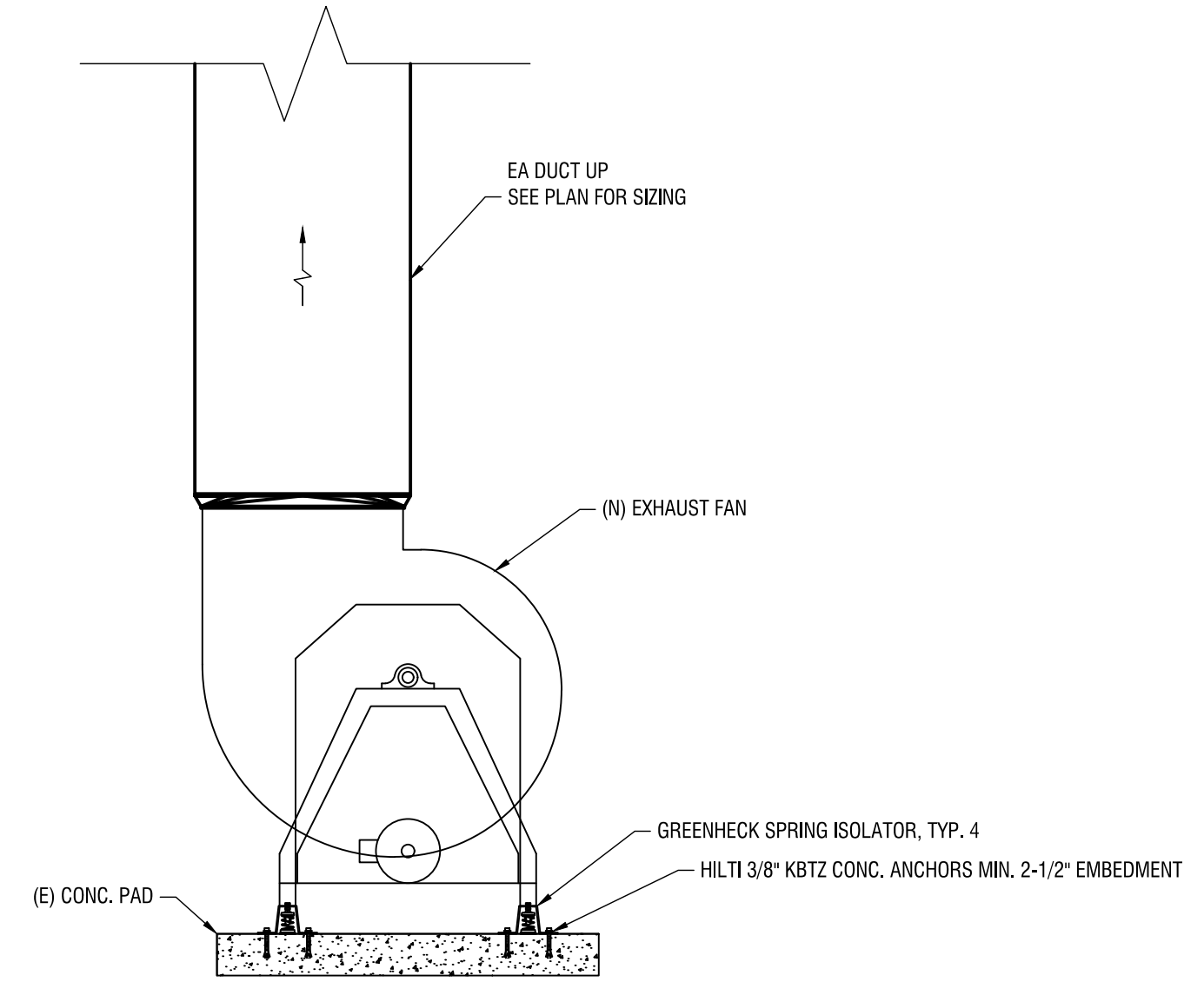
- DUCT SUPPORT NOTES:**
1. ALL STRAPS, RODS, TRAPEZE ANGLES AND TRAPEZE CHANNELS SHALL BE SIZED IN ACCORDANCE WITH THE LATEST SMACNA REQUIREMENTS.
 2. ALL BOLTS, NUTS, SCREWS AND OTHER FASTENING DEVICES SHALL BE LOAD-RATED AND SHALL MEET ALL CODE REQUIREMENTS AND APPLICABLE SAFETY FACTORS.
 3. WIRE, USED IN PLACE OF STRAPS AND RODS, IS NOT ALLOWED.
 4. LATERAL BRACING REQUIRED ON ALL DUCTS.
 5. SUPPORTS SHALL BE PLACED AT 8'-0" ON CENTER (MAX) AND AT ALL CHANGES IN DIRECTION.



PARALLEL TO PURLINS

2 DUCT HANGING DETAIL
M1.0 NO SCALE

1 DUCT SUPPORT DETAIL
M1.0 NO SCALE



3 EXHAUST FAN MOUNTING DETAIL
M1.0 NO SCALE

EXHAUST FAN SCHEDULE

ID	Manufacturer	Model	Service	Location	Type	CFM	S.P.	Fan RPM	Fan Drive	Motor Data			Max. Sones	Weight Lbs.	Notes
										Volts	Phase	HP			
EF-1	GREENHECK	USF-330-10-BI-50	700 BUILDING AG. SHOP	OUTSIDE	CENTRIFUGAL UTILITY FAN	12,000	1-1/2"	916	BELT	460	3	7.5	69	875	1 - 5

- NOTES:**
1. SEE ELECTRICAL FOR FAN CONTROLS
 2. PROVIDE MANUFACTURERS ACCESS DOOR
 3. PROVIDE MANUFACTURERS DRAIN AND PLUG
 4. PROVIDE MANUFACTURERS BACKDRAFT DAMPER
 5. MOUNT ON SPRING ISOLATORS PER 3/M1.0

DIFFUSER SCHEDULE

ID	Manufacturer	Model No.	CFM	Mounting	Module Size	Face Size	Neck Size	Material	Finish	Notes
A	TITUS	300RL-HD	SEE PLAN	DUCT	44" x 20"	42" x 18"	N/A	ALUMINUM	#01	1

- NOTES:**
1. DOUBLE DEFLECTION HEAVY DUTY SUPPLY GRILLE. 14GA FRONT BLADES.

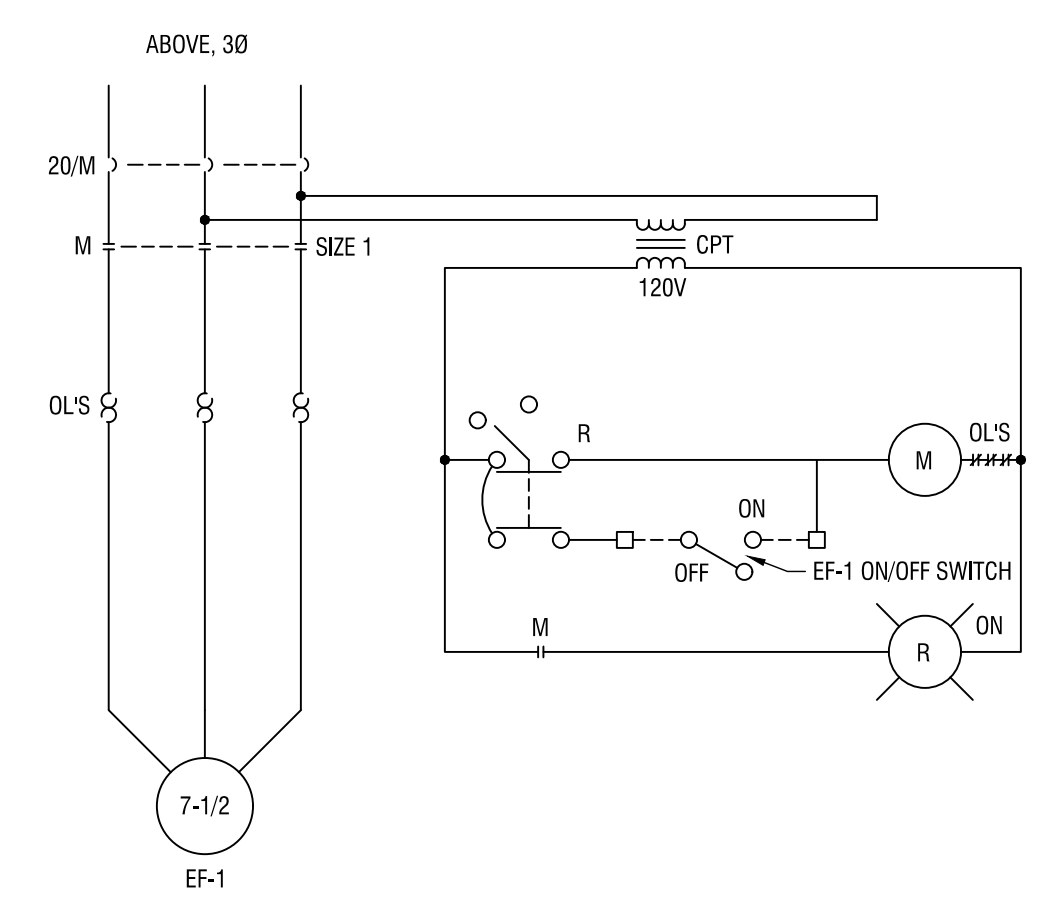
GRILLE SCHEDULE

ID	Manufacturer	Model No.	CFM	Mounting	Module Size	Face Size	Neck Size	Material	Finish	Notes
1	TITUS	33RL	1500	DUCT	32" x 14"	30" x 12"	N/A	ALUMINUM	#01	1

- NOTES:**
1. HEAVY DUTY RETURN GRILLE.
 2. OPPOSED BLADE DAMPER

MECHANICAL LEGENDS

SYMBOLS	ABBREVIATIONS	
ABC	ABC	ABOVE CEILING
AFF	AFF	ABOVE FINISHED FLOOR
AD	AD	ACCESS DOOR
BHP	BHP	BRAKE HORSE POWER
CFM	CFM	CUBIC FEET PER MINUTE
△	△	DIFFUSER TAG
D	D	DEMO
∅	∅	DUCT (ROUND DUCT, DIAMETER IN INCHES)
EC	EC	EVAPORATIVE COOLER
EA	EA	EXHAUST AIR DUCT
EF	EF	EXHAUST FAN
EG	EG	EXHAUST GRILLE
(E), EX	(E), EX	EXISTING
ESP	ESP	EXTERNAL STATIC PRESSURE
FLA	FLA	FULL LOAD AMPS
MOCOP	MOCOP	MAXIMUM OVER CURRENT PROTECTION
MCA	MCA	MINIMUM CIRCUIT AMPACITY
N	N	NEW
OA	OA	OUTSIDE AIR
△	△	REGISTER/GRILLE TAG
TSP	TSP	TOTAL STATIC PRESSURE
TYP	TYP	TYPICAL
VF	VF	VERIFY IN FIELD
∩	∩	VOLUME DAMPER - MANUAL OPERATION



4 EF-1 CONTROL DIAGRAM
M1.0 NO SCALE



ALL IDEAS, DESIGNS, AND PLANS REPRESENTED BY THIS DRAWING ARE THE EXCLUSIVE PROPERTY OF FRONTIER CONSULTING ENGINEERING AND SHALL NOT BE REPRODUCED WITHOUT PRIOR WRITTEN PERMISSION. ANY UNAUTHORIZED REUSE OF THIS DRAWING SHEET OTHER THAN FOR THE PROJECT AND LOCATION SHOWN IS PROHIBITED.

LICENSE STAMP



CONSULTANTS

PROJECT NAME

AG SHOP VENTILATION UPGRADES

FOR

WEST VALLEY HIGH SCHOOL

3805 HAPPY VALLEY ROAD
COTTONWOOD, CA 96002

NO. REVISIONS DATE

SHEET TITLE

MECHANICAL LEGENDS, SCHEDULES, AND DETAILS

ISSUED FOR:
CONSTRUCTION DOCUMENTS

DATE: 10/14/2016
DRAWN BY: RB
REVIEWED BY: BA
SCALE: AS NOTED
PROJECT NO: 21649

M1.0

ALL IDEAS, DESIGNS, AND PLANS REPRESENTED BY THIS DRAWING ARE THE EXCLUSIVE PROPERTY OF FRONTIER CONSULTING ENGINEERING AND SHALL NOT BE REPRODUCED WITHOUT PRIOR WRITTEN PERMISSION. ANY UNAUTHORIZED REUSE OF THIS DRAWING SHEET OTHER THAN FOR THE PROJECT AND LOCATION SHOWN IS PROHIBITED.

LICENSE STAMP



CONSULTANTS

PROJECT NAME

AG SHOP VENTILATION UPGRADES

FOR

WEST VALLEY HIGH SCHOOL

3805 HAPPY VALLEY ROAD
COTTONWOOD, CA 96002

NO. REVISIONS DATE

SHEET TITLE

MECHANICAL DEMOLITION PLAN

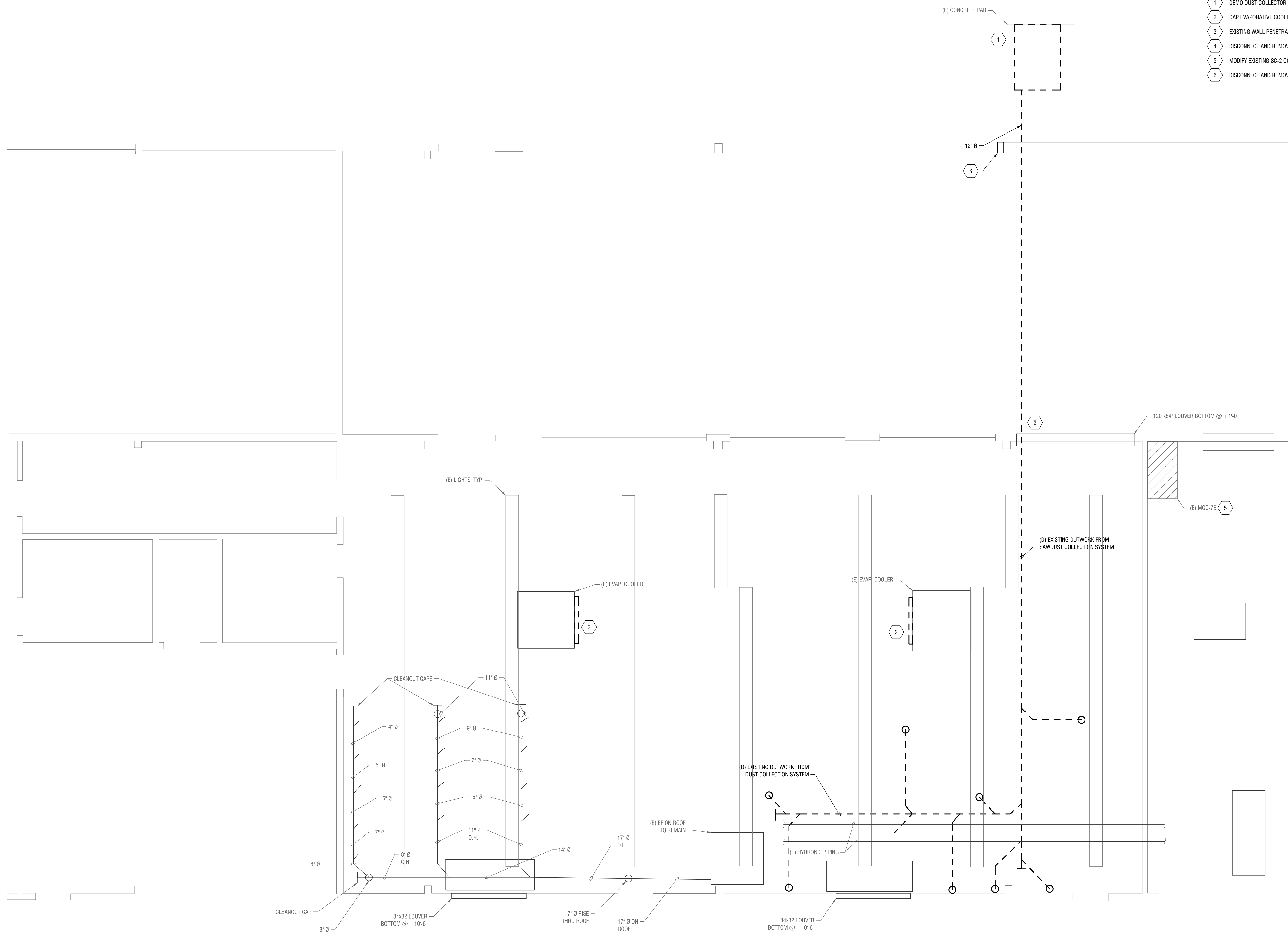
ISSUED FOR:
CONSTRUCTION DOCUMENTS

DATE: 10/14/2016
DRAWN BY: RB
REVIEWED BY: BA
SCALE: AS NOTED
PROJECT NO.: 21649

M1.1

KEYED NOTES

- 1 DEMO DUST COLLECTOR AND ASSOCIATED DUCTWORK.
- 2 CAP EVAPORATIVE COOLER VENT.
- 3 EXISTING WALL PENETRATION TO BE REUSED.
- 4 DISCONNECT AND REMOVE EXISTING CONDUCTORS.
- 5 MODIFY EXISTING SC-2 CONTROLLER AS SHOWN.
- 6 DISCONNECT AND REMOVE EXISTING DISCONNECT.



1 MECHANICAL DEMOLITION PLAN
M1.1 1/4" = 1'-0" 



GENERAL NOTES:

- 1. DUCTING TO BE RUN ABOVE LIGHTS AND SUPPORTED PER 2/M1.0

KEYED NOTES

- 1 REUSE EXISTING CONDUIT. PROVIDE AND INSTALL NEW CONDUCTORS. MODIFY CONDUIT AS REQUIRED
- 2 MODIFY EXISTING MOTOR CONTROLS TO MATCH NEW. MODIFY AS REQUIRED.
- 3 COORDINATE FINAL LOCATION OF SWITCH WITH OWNER.



ALL IDEAS, DESIGNS, AND PLANS REPRESENTED BY THIS DRAWING ARE THE EXCLUSIVE PROPERTY OF FRONTIER CONSULTING ENGINEERING AND SHALL NOT BE REPRODUCED WITHOUT PRIOR WRITTEN PERMISSION. ANY UNAUTHORIZED REUSE OF THIS DRAWING SHEET OTHER THAN FOR THE PROJECT AND LOCATION SHOWN IS PROHIBITED.

LICENSE STAMP



CONSULTANTS

PROJECT NAME

AG SHOP VENTILATION UPGRADES

FOR

WEST VALLEY HIGH SCHOOL

3805 HAPPY VALLEY ROAD
COTTONWOOD, CA 96002

NO. REVISIONS DATE

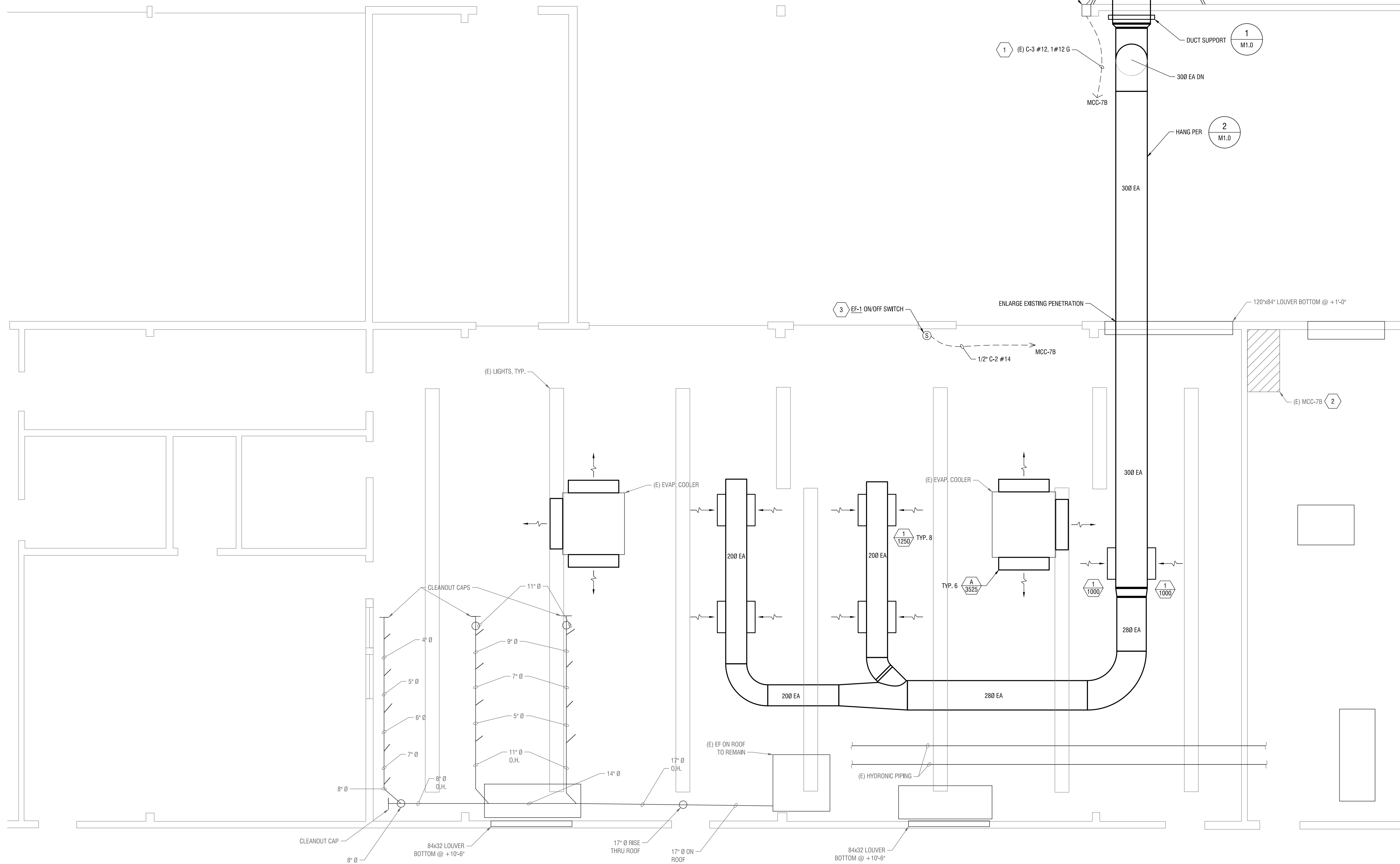
SHEET TITLE

MECHANICAL FLOOR PLAN

ISSUED FOR:
CONSTRUCTION DOCUMENTS

DATE: 10/14/2016
DRAWN BY: RB
REVIEWED BY: BA
SCALE: AS NOTED
PROJECT NO.: 21649

M2.0



1 MECHANICAL FLOOR PLAN
M2.0 1/4" = 1'-0"

